



Multi-Mount 180° Hinges

Num: ELDON_200811_010

MMH, Multi-Mount 18° Hinges



The Eldon 180° hinges are the easiest to mount in the market, the way to fix them is exactly the same as the standard, only when the door is in place and it can not be moved we must make a hole to assure the fixing.

Description: Multi-Mount door hinges which allows the door to open 180°. The item number to be ordered depends on the height of the enclosure.

Material: Zinc-plated steel.

Pack quantity: Hinges with mounting accessories.



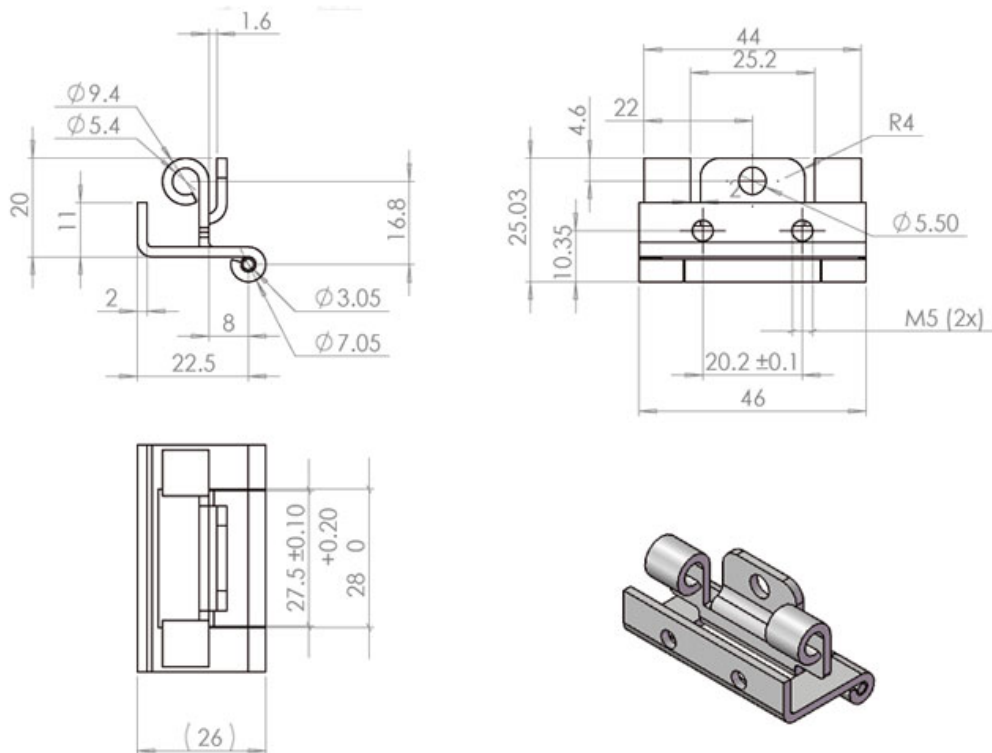
For enclosure H	Nº of hinges	Item number
Up to 1000mm	2	MMH02
Above 1000mm	3	MMH03



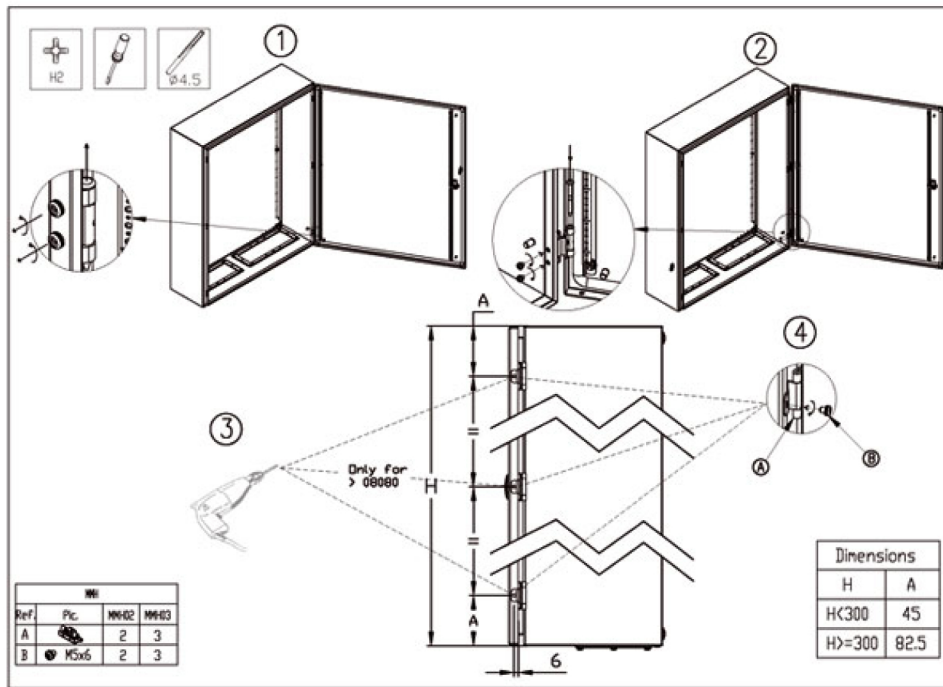
Multi-Mount 180° Hinges

Num: ELDON_200811_010

Dimensions



Mounting Instructions



9-885-0393-17 Rev. 1