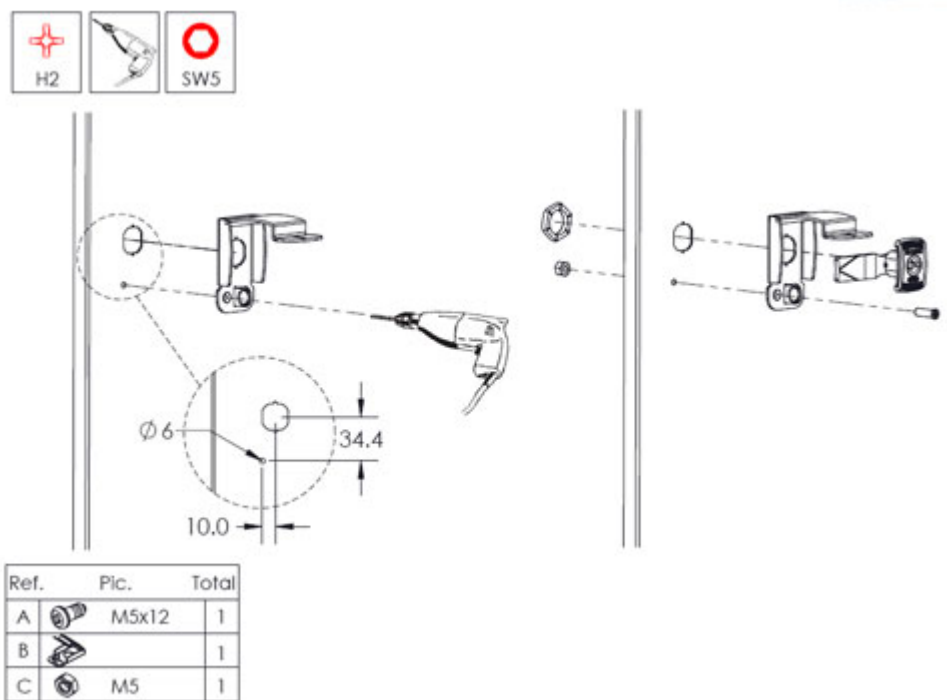




Multi-Mount Padlocking Cover

Num: Eldon_200810_08

Mounting Instructions



Product management

Eldon Group
+34 91 799 71 35
eldon.HQ@eldon.com

We do not accept any responsibility in any way as a result of product changes, printing or writing errors.

ELDON Group
P° de la Finca, 1
Edificio 11, Oficina 1
Pozuelo de Alarcón
Madrid 28223 Spain

Tel: +34 91 799 71 35
Fax: +34 91 799 52 33
eldon.HQ@eldon.com
Visit us at www.eldon.com