



Num: Eldon_ 0708_010

MAD Door: Evolution

Eldon is pleased to announce that the doors of our double door Multi-Mount enclosure (MAD) have just got better!

We have replaced the usual glue gasket with a new extruded gasket in the right hand door, and improved the door bending process. The useful area of both doors and the IP55 rating is unaffected.

The advantage of these changes is:

- The gasket in many double door enclosures has a tendency to drop off because the adhesive wears off after a period of time, although an extruded gasket will never suffer this problem.
- The new gasket is no longer visible, so is less likely to be affected by exterior environmental conditions.

MAD Accessories kit

The accessories kit in all MAD enclosures has also been updated, and now includes all the components necessary to make the earthing connection between the body and both doors.

The kit now comprises of:

- 2 Nuts M8 DIN6923
- 2 Washer 8mm
- 2 Earth labels

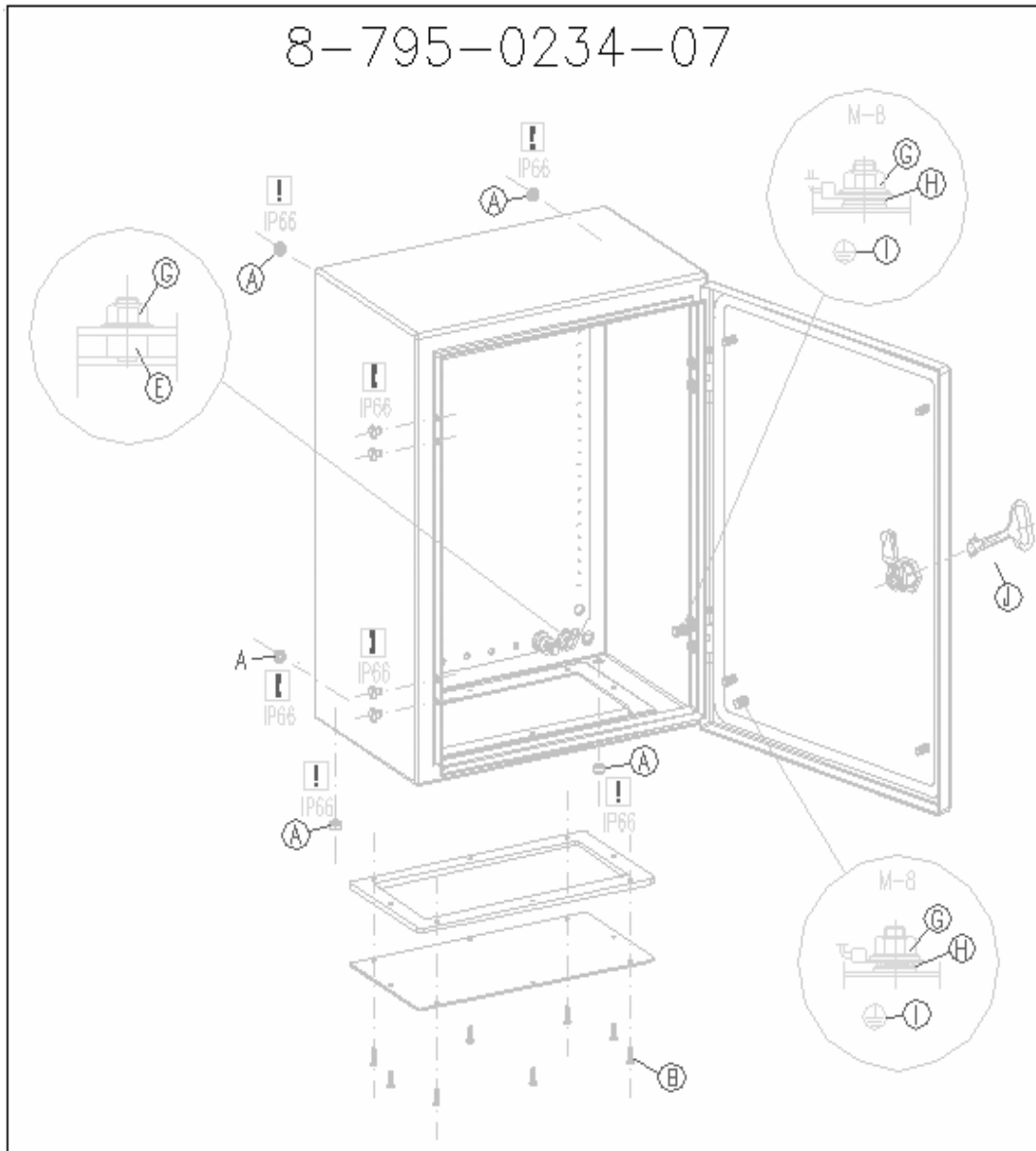
Item Number	Acc Kit
MAD0608030	KIT07
MAD0801230	KIT07
MAD1001030	KIT07
MAD1201030	KIT07
MAD1201230	KIT07
MAD1201240	KIT07
MAD1401030	KIT07

You can find attached the new mounting instructions for the affected products.



MAD Evolution

Num: Eldon_0708_010



8-795-0234-07

PARTS LIST

Ref.	Pic.	Total	Ref.	Pic.	Total	Ref.	Pic.	Total
A		6	G		12	J		1
B		28	H		4			
E		8	I		4			